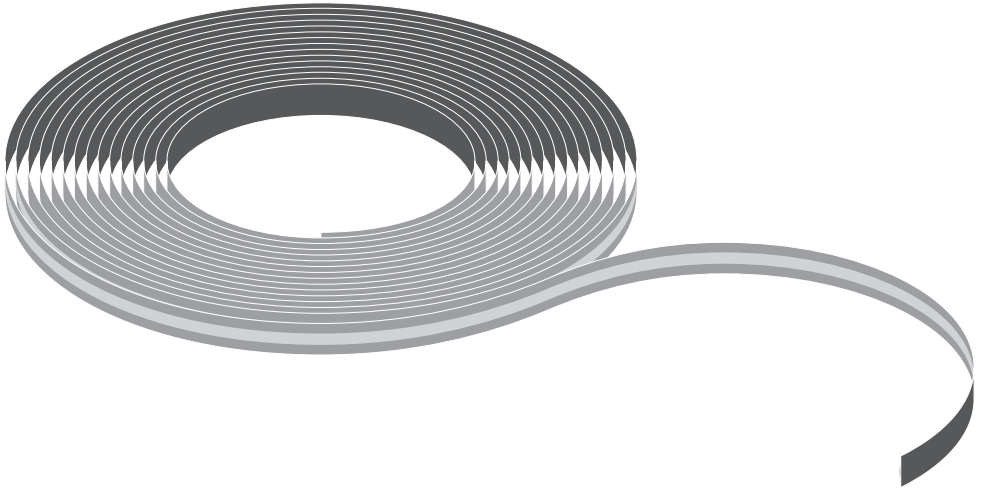
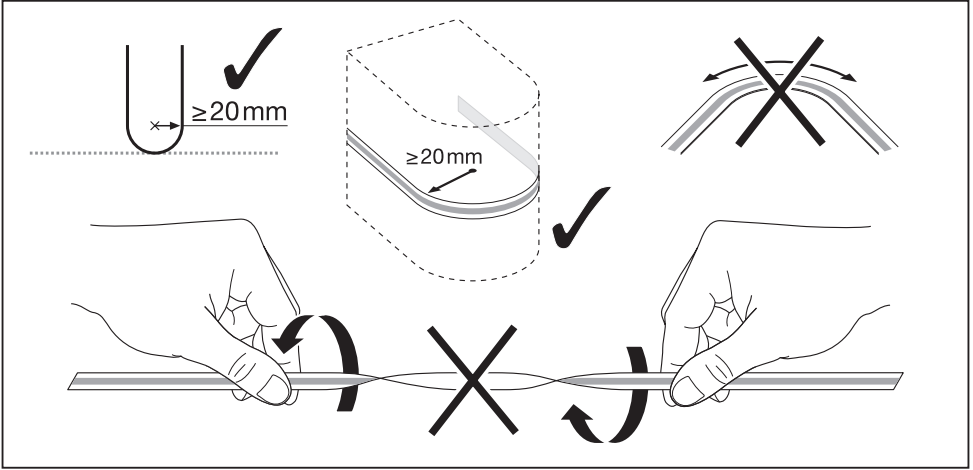
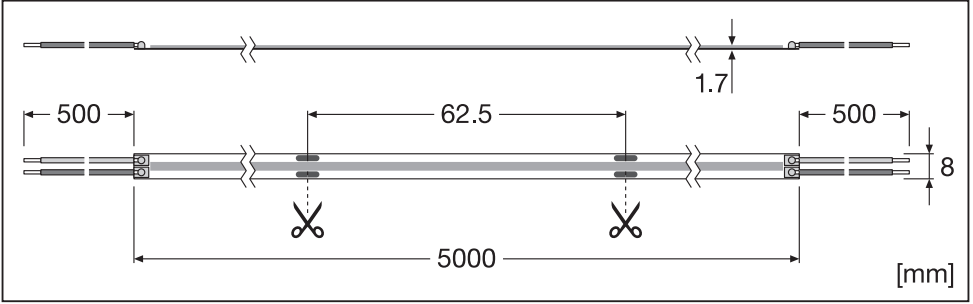


## LED STRIP PERFORMANCE

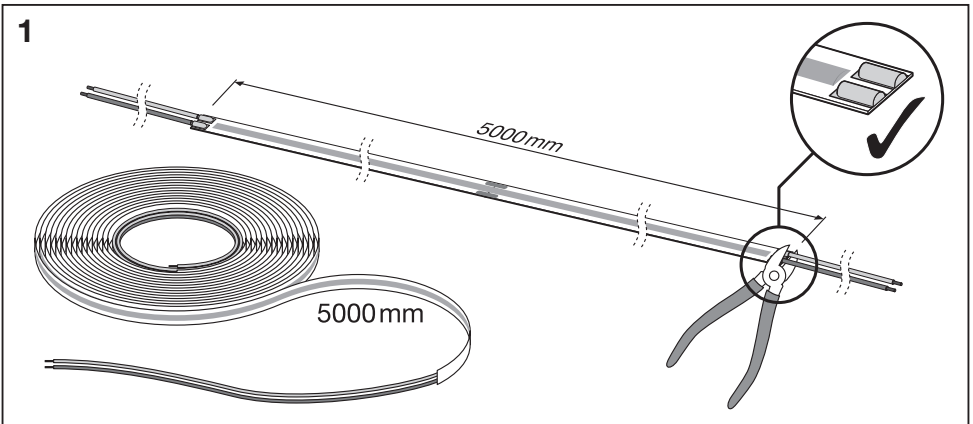


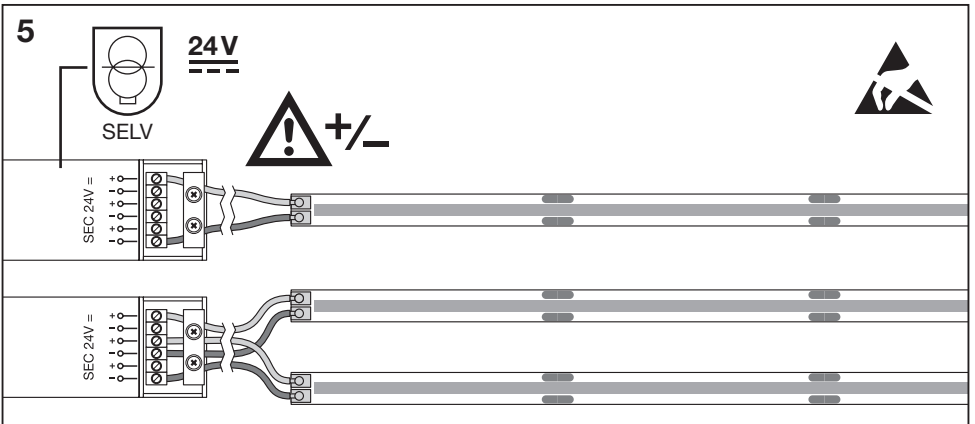
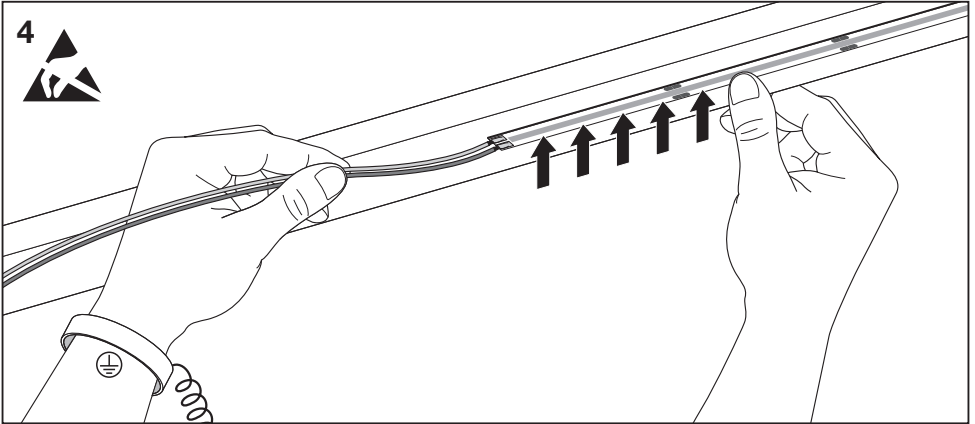
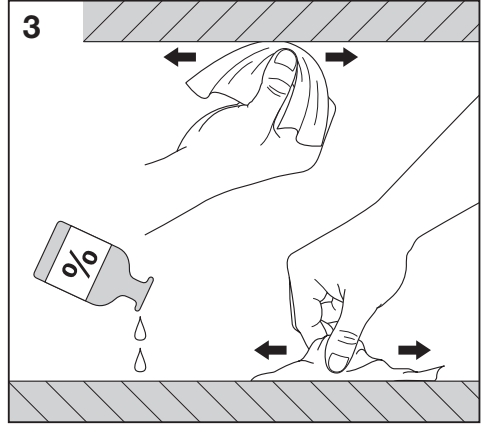
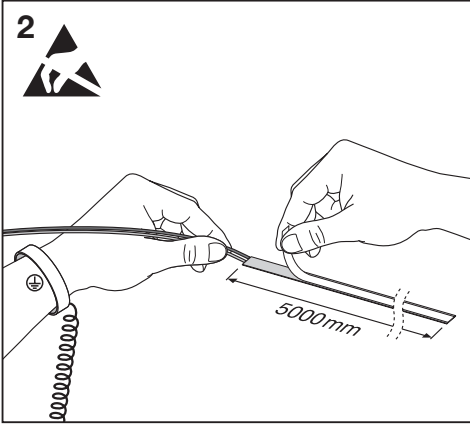
	EAN	l x w x h [mm]	V <sub>nom</sub>	W	W/m	lm	lm/m	lm/W	K	⊖ (°C)	∠	R <sub>a</sub>
LS PFM-1000/COB/927/5	4058075597525	5000 x 8 x 1.7	24V	38	11	2850	1010	92	2700	-20...+55	140°	>90
LS PFM-1000/COB/930/5	4058075597532	5000 x 8 x 1.7	24V	38	11	3100	1010	95	3000	-20...+55	140°	>90
LS PFM-1000/COB/940/5	4058075597549	5000 x 8 x 1.7	24V	38	11	3300	1040	97	4000	-20...+55	140°	>90
LS PFM-1000/COB/965/5	4058075597556	5000 x 8 x 1.7	24V	38	11	3500	1060	98	6500	-20...+55	140°	>90

Length of supply wire (0,5 mm <sup>2</sup> wire cross-section) <sup>1)</sup>	Max. meters of LED STRIP at T <sub>a</sub> =25°C <sup>2)</sup>				
	<0.5m	1 m	3m	6m	10m
LS PFM-1000/COB/927/5	7m	6.8m	6.6m	5.8m	5.1m
LS PFM-1000/COB/930/5	7m	6.8m	6.6m	5.8m	5.1m
LS PFM-1000/COB/940/5	7m	6.8m	6.6m	5.8m	5.1m
LS PFM-1000/COB/965/5	7m	6.8m	6.6m	5.8m	5.1m



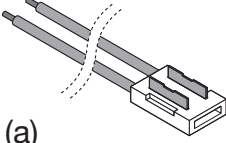
**A**





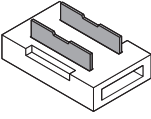
**B**

**LS AY PFM -CP/P2/  
500/COB X2**  
EAN 4058075654075



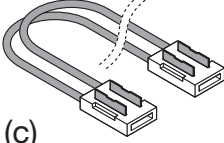
(a)

**LS AY PFM -CSD/P2/  
COB X2**  
EAN 4058075654112


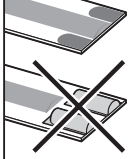


(b)

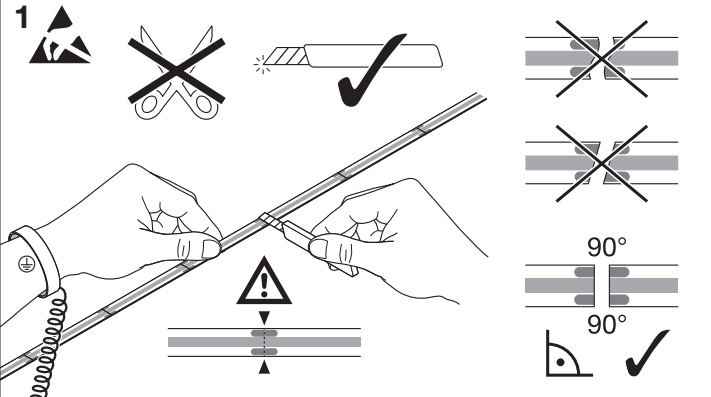
**LS AY PFM -CSW/P2/  
50/COB X2**  
EAN 4058075654099



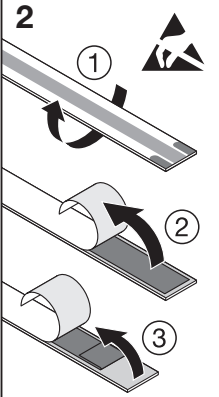
(c)

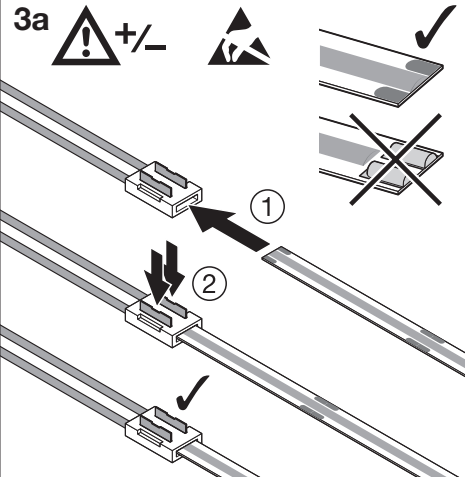
**1**



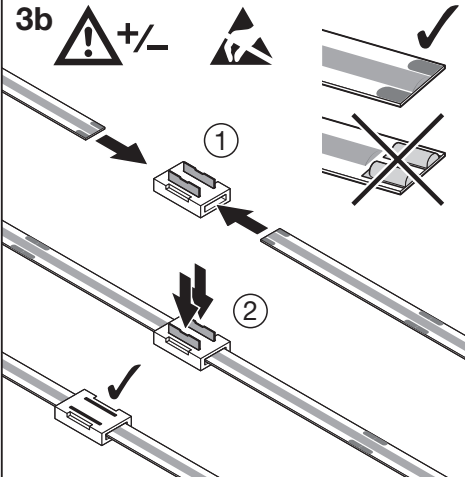
**2**

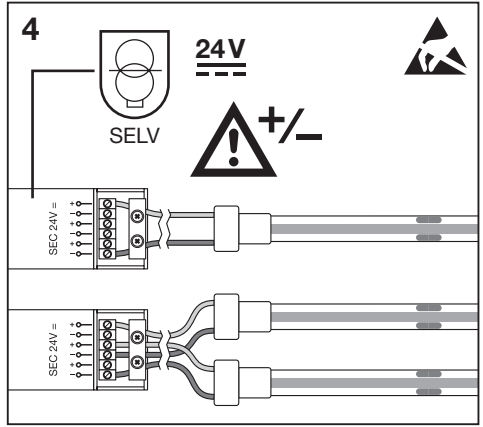
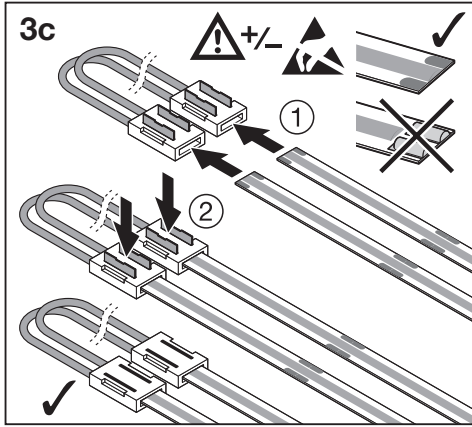


**3a**



**3b**





C

