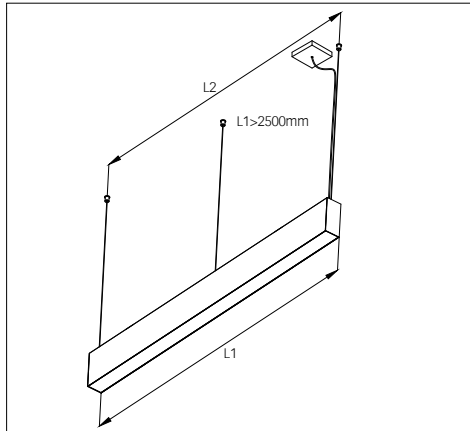


MATRIC G3/R3 | SYSTEM 55MM SUSPENDED

1. MONTAGE UND INSTALLATION | MOUNTING AND INSTALLATION:

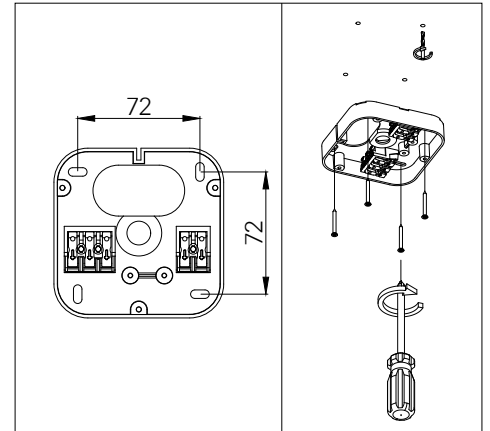


1. Bei allen Montagearbeiten Handschuhe tragen.
 Use gloves when handling the fixture.

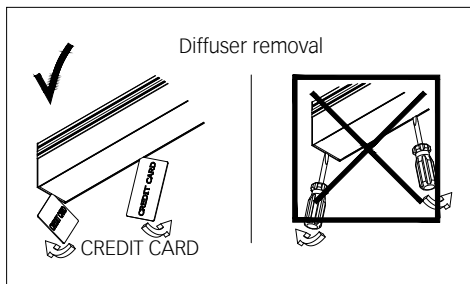


Opal / Microprismatic / Wallwasher		Lens Louvre	
L1[mm]	L2[mm]	L1[mm]	L2[mm]
890	875	1002	987
1182	1167	1252	1237
1475	1460	1502	1487
1765	1750	1752	1737
2055	2040	2002	1987

2.

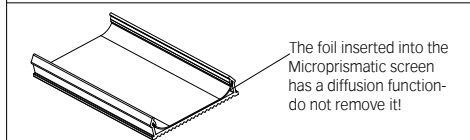


3.



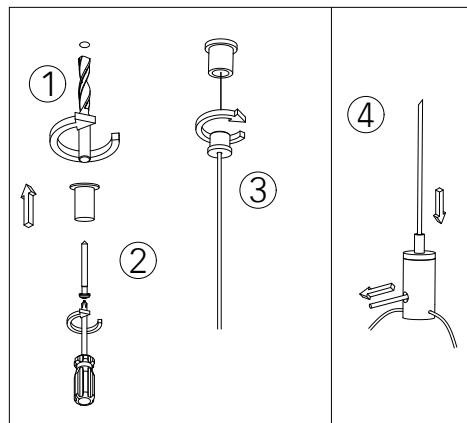
Diffuser removal

CREDIT CARD



The foil inserted into the Microprismatic screen has a diffusion function- do not remove it!

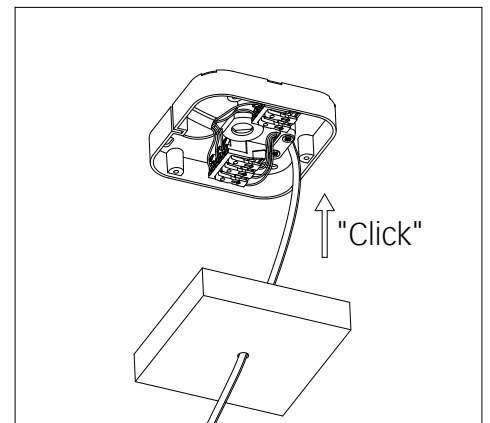
4. All LED gear trays are numbered and the numbering starts from the cable entry side. In non-standard luminaires the numbering of LED gear trays is made in accordance with technical drawings.
 Avoid touching the strip - connectors because they can break off under excess handling.



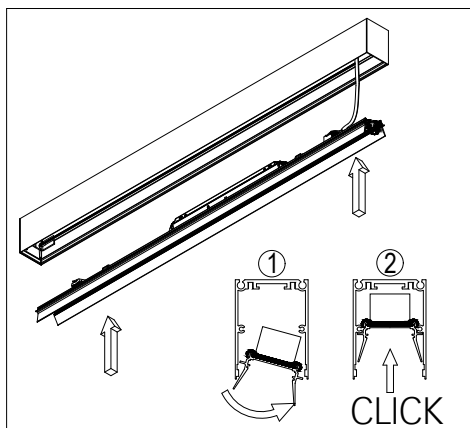
5.

- min/max stripped wire length: 7mm-10mm

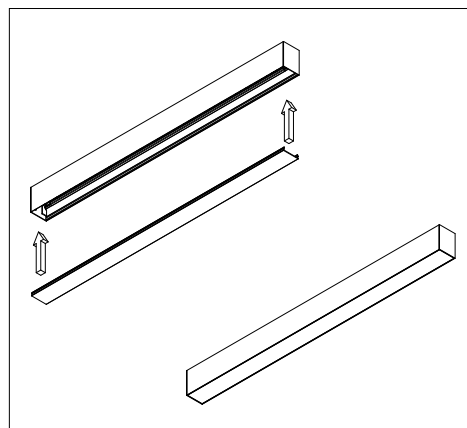
- max power supply cable: 1,5mm²



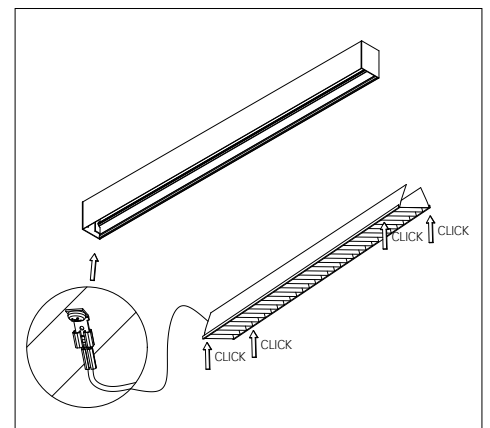
6.



7.



8.

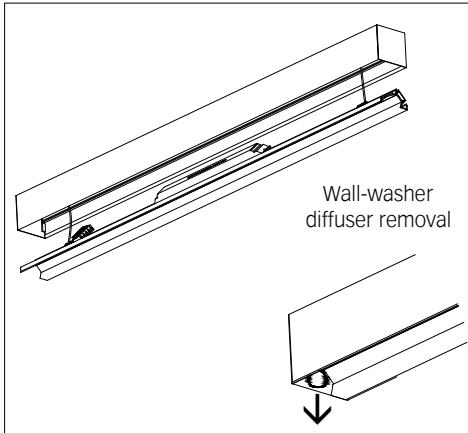


9. Louvre installation.

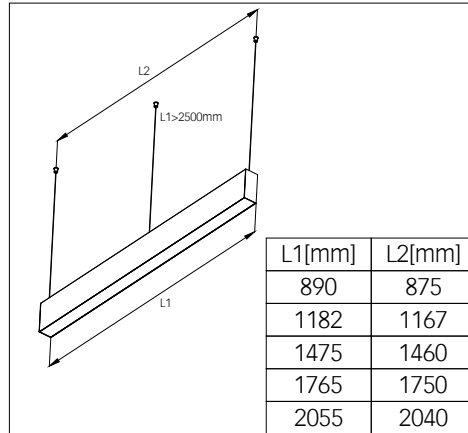
MATRIC G3/R3 | SYSTEM 55MM SUSPENDED

Wallwasher

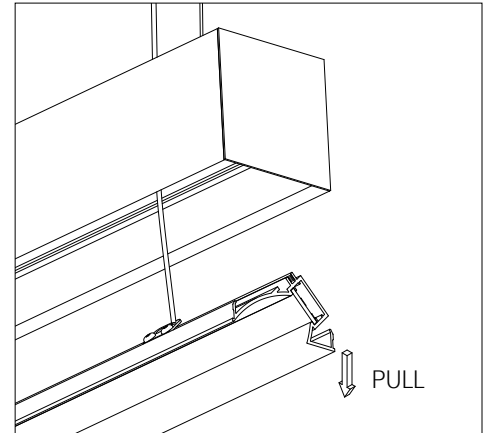
1. MONTAGE UND INSTALLATION | MOUNTING AND INSTALLATION:



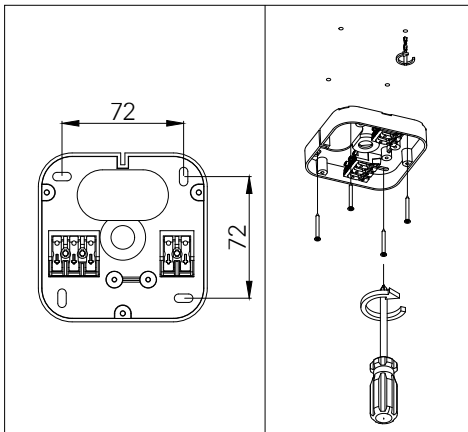
1.



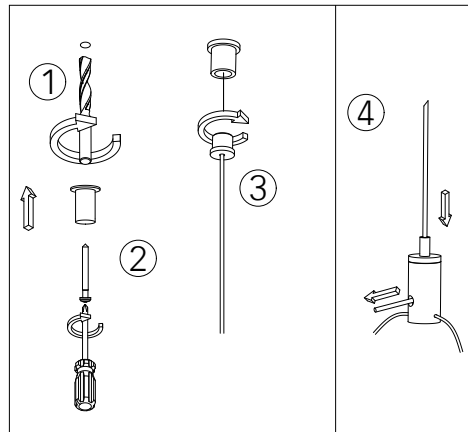
2.



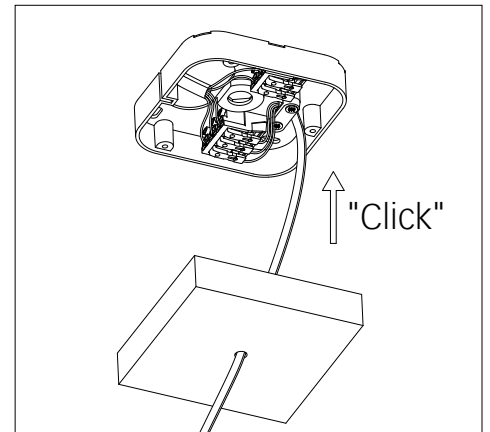
3. Diffuser removal.



4.



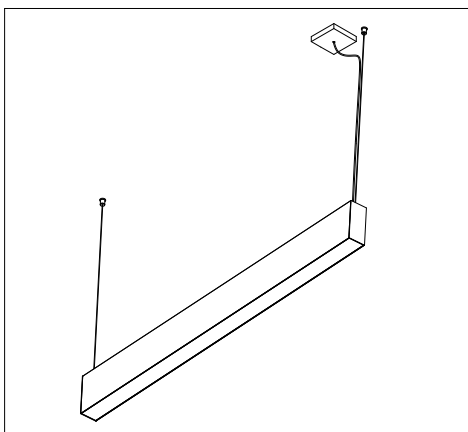
5.



6.

- min/max stripped wire length: 7mm-10mm

- max power supply cable: 1,5mm²



7.

IMPORTANT:

-all sections must be suspended individually and perfectly levelled (horizontally and vertically) before connecting them together - this is crucial

-all suspension cords must be positioned perfectly vertical

-all suspension cords must be tensioned with the same strength

-if these conditions are not satisfied then the different parts will settle to different levels and work against one another.

8. All LED gear trays are numbered and the numbering starts from the cable entry side. In non-standard luminaires the numbering of LED gear trays is made in accordance with technical drawings.