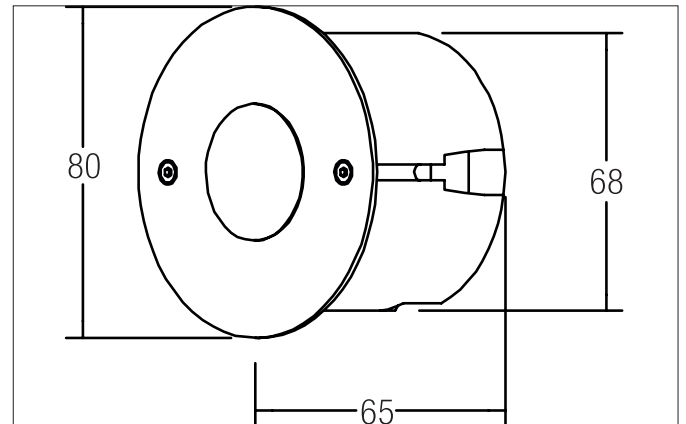


ECHANI-R LED wall recessed light, IP20

Article no. P3937W

Light.
For Generations.**Tender**

LED wall recessed light, IP20, Round. Ceiling cut-out Ø 68 mm, Installation depth 65 mm, Outer diameter 80 mm, Weight 0,296 kg, with rotationssymmetrical, deep, wide distributed light intensity. optimal light distribution due to a plastic, opal cover. Luminous flux 60 lm, Power 1 x 1,2 W, Light colour , Correlated color temprature (CCT) 6.500 K, Colour rendering index CRI > 80, Housing material: Stainless steel / Acrylic / Plastic, Colour: Stainless steel, Permissible ambient temperature (ta): -20 °C - +25 °C, Protection class (EN 61140): I, Degree of protection (DIN EN 60529): IP20, .With electronic driver, on/off switchable.

Article data	
Article no.	P3937W
GTIN	4250047733539
Series name	ECHANI-R
Short description	LED wall recessed light, IP20
Material	Stainless steel / Acrylic / Plastic
Colour	Stainless steel
Type of surface	Matt
Shape	Round
Outer diameter	80 mm
Built-in diameter	68 mm
Installation depth	65 mm
Hight	1.5 mm
Weight	0.296 kg

ECHANI-R LED wall recessed light, IP20

Article no. P3937W

Light.
For Generations.

Lighting technology	
Colour temperature	6.500 K
Light colour	White
Luminous flux	60 lm
System efficiency	50 lm/W
Colour rendering	CRI > 80
Reflector	Without
Light sharing	Symmetric

Operating technology of the luminaire	
System output	1.2 W
Voltage type	AC
AC nominal voltage max	230 V
Frequenz max.	50 Hz
Lamp	LED
Protection class	I
Degree of protection	IP20
Dimmable	No
Control	on/off
Bulb change possible	The light source of this luminaire may only be replaced by the manufacturer or a service technician commissioned by him or a similarly qualified person.

Mounting technology	
Mounting method	Recessed mounting
Place of installation	Wall-mounted
Adjustability	Not adjustable
Further references	No cover with thermal insulation material
Material cover	Plastic, opal

Packing data	
Gross weight	0.369 kg
Length of packaging	95 mm
Packaging width	75 mm
Packaging height	95 mm
Disposal at end of life	This product must not be disposed of with household waste. You are obliged, to dispose of such electrical waste separately. By disposing of electrical waste and other old or defective electronics separately, you support recycling or other forms of re-use. In that way you help to take care and to avoid that harmful substances get into the environment.