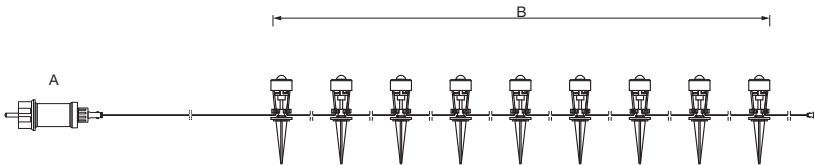
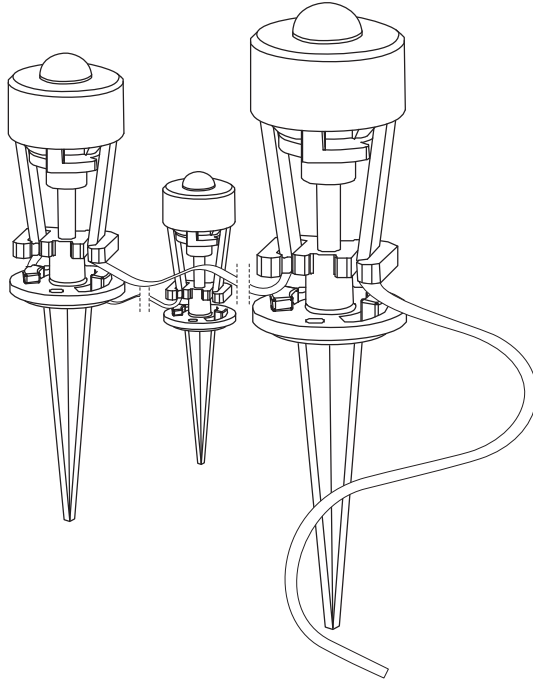









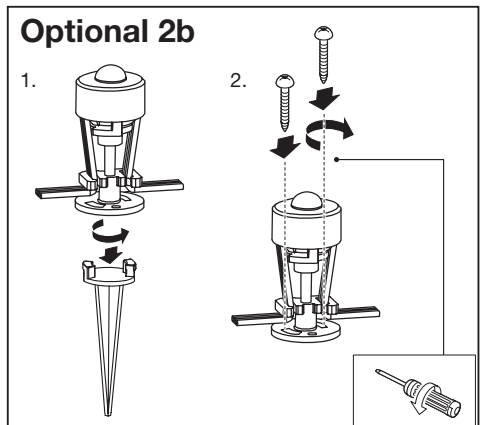
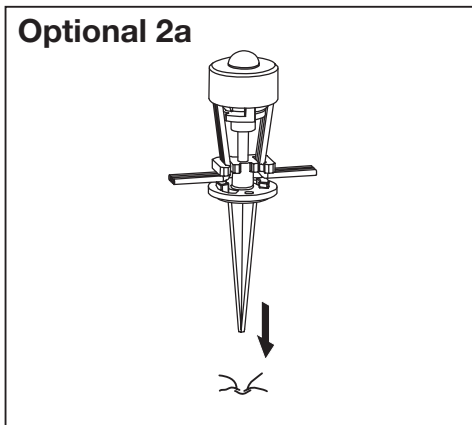
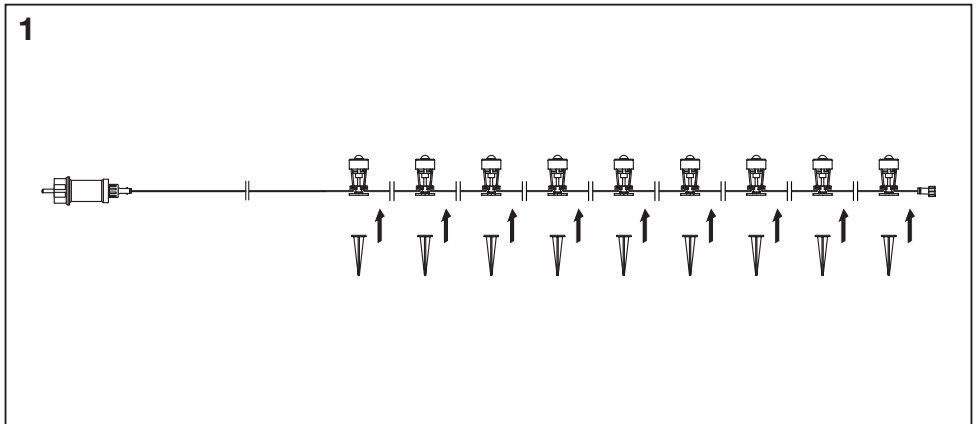
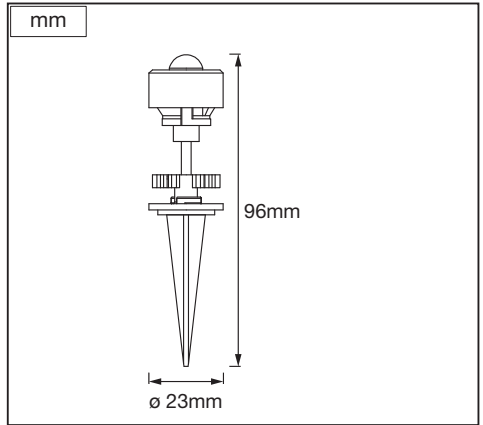

ENDURA® GARDEN DOT | EXTENSION

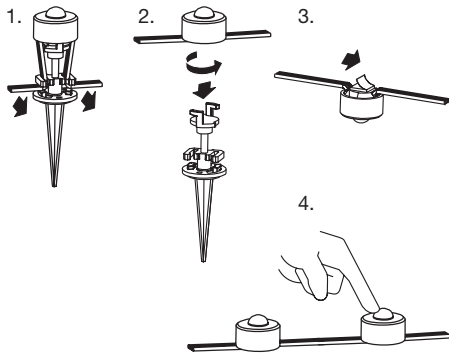


	EAN	W	mA	Im	PF	Power supply adaptor (A)			Lighting chain (B)		
						Input	Class	IP	Input	Class	IP
ENDURA GARDEN DOT 9P 830	4058075478411	8	67	480	≥0.5	220-240V~ 50/60 Hz	II	44	12VDC	III	66
ENDURA GARDEN DOT 18P 830	4058075478473	14	107	850	≥0.5	220-240V~ 50/60 Hz	II	44	12VDC	III	66
ENDURA GARDEN DOT 3P EXT 830	4058075478510	2.2	180 (DC12V)	160	1	-	-	-	12VDC	III	66

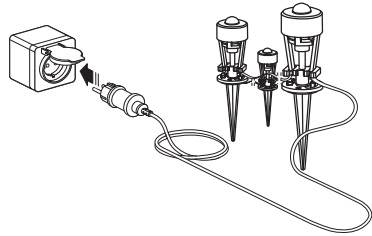
		18x		340g
				4058075478411
		36x		500g
				4058075478473
		6x		80g
				4058075478510



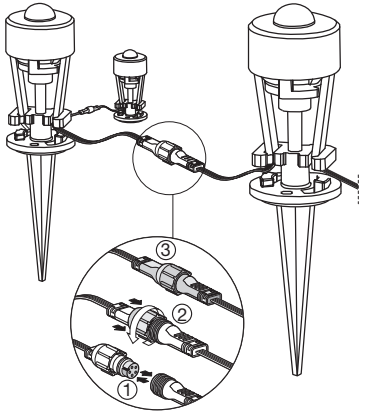
Optional 2c



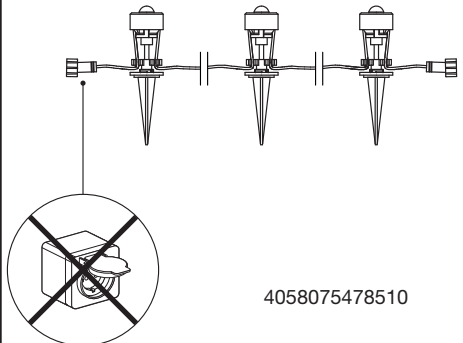
3



4

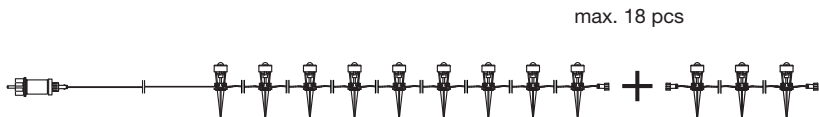


5






4058075478510

6

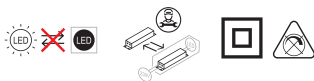


4058075478411

4058075478510

	EAN	This product contains a light source of energy efficiency class	Contained Light Source
ENDURA GARDEN DOT 9P 830	4058075478411	G	Contains 9 light sources 
ENDURA GARDEN DOT 18P 830	4058075478473	G	Contains 18 light sources 
ENDURA GARDEN DOT 3P EXT 830	4058075478510	G	Contains 3 light sources 

 IP66  IP44



C10449057
G11128768
12.10.2021



LEDVANCE GmbH
Steinerne Furt 62
86167 Augsburg, Germany
www.ledvance.com