

## Connector black, for event technology - for Event technology



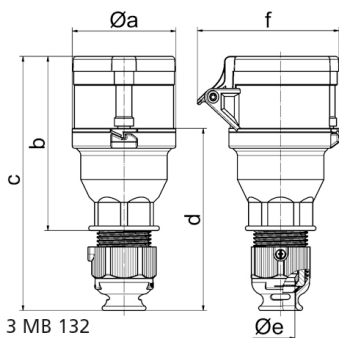
Product description	
BALS-Prd.-Nr	310515
EAN	4024941145855
Product category	Connector QUICK-CONNECT
Current	16A
Number of poles	5p
Poles	3p+N+PE
Position of earth contact	6 h
Voltage	200/346 up to 240/415V

Product description	
Frequency	50 and 60Hz
Protection degree	IP44
Colour code	red RAL 3000
Colour of appliance	Collar black RAL 9005, Hinged lid black RAL 9005, Housing cover black RAL 9005, Cable gland black RAL 9005
Connection design	screwless spring-clamp Kontex
Maximum conductor size	2,5 qmm
Cable entry	Cable gland
Height	157mm
Width	71mm
Depth	91mm
Material of enclosure	Polyamide
Contact	The contact carrier is made of polyamide, the contacts are brass nickel plated

Additional technical properties	
	Multi-Grip cable gland with gasket and integrated strain relief, Screwless housing connection with snap fastening, For cable diameter from 8 up to max. 18 mm

Logistics data	
Weight/pcs	0.178 kg / Piece
Packaging	Bag
Content amount	1 ST

Logistics data	
EAN	4024941145855
Length	91 mm
Width	71 mm
Height	157 mm
Weight	0.179 kg
Volume	1,014.377 ccm
Packaging	Carton
Content amount	10 ST
EAN	4024941840583
Length	245 mm
Width	177 mm
Height	185 mm
Weight	1.913 kg
Volume	7,140 ccm



Ampere	16	16	16	32	32	32
Polzahl	3	4	5/7	3	4	5/7
a ø	53,0	60,0	66,0	74,5	74,5	74,5
b	100,5	112,5	113,5	133,5	133,5	134,5
c	151,0	163,0	164,0	196,0	196,0	197,0
d	107,5	114,5	115,5	137,5	137,5	138,5
e ø	18,0	18,0	18,0	23,0	23,0	23,0
f	76,0	79,0	86,0	92,0	92,0	97,0
Leiter mm <sup>2</sup> min	1	1	1	2,5	2,5	2,5
Leiter mm <sup>2</sup> max	2,5	2,5	2,5	6	6	6