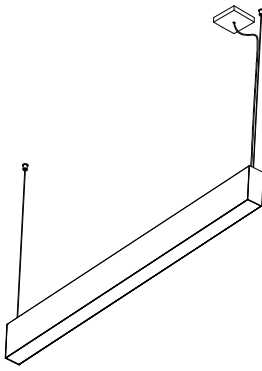

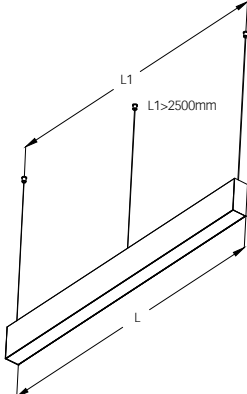


MATRIC G6/R6 | SYSTEM 81MM SUSPENDED

1. MONTAGE UND INSTALLATION | MOUNTING AND INSTALLATION:

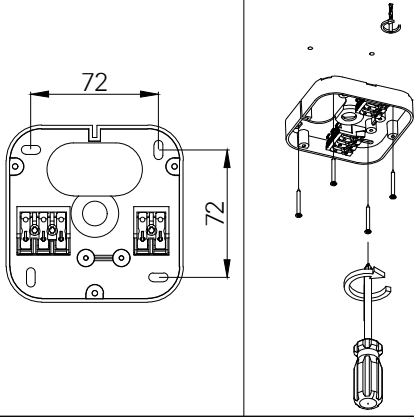


1. Bei allen Montagearbeiten Handschuhe tragen.
 Use gloves when handling the fixture.

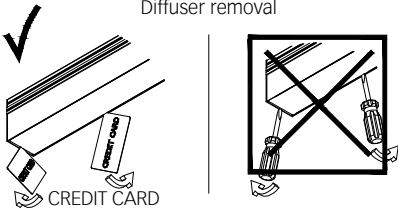
2. Montageöffnungen.
 Installation openings.

L[mm]	L1[mm]
890	870
1182	1162
1475	1455
1765	1745
2055	2035

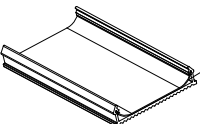


3.

Diffuser removal

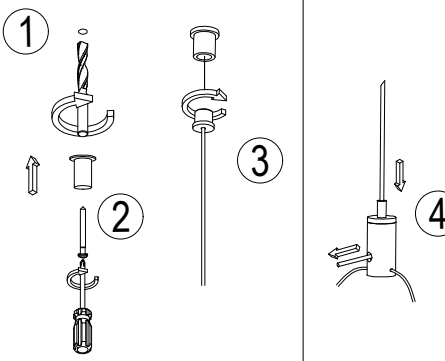


CREDIT CARD

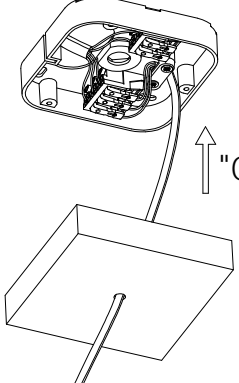


The foil inserted into the Microprismatic screen has a diffusion function- do not remove it!

4.



5.



"Click"

6.

- min/max stripped wire length: 7mm-10mm

- max power supply cable: 1,5mm²

IMPORTANT:

- all sections must be suspended individually and perfectly levelled (horizontally and vertically) before connecting them together - this is crucial
- all suspension cords must be positioned perfectly vertical
- all suspension cords must be tensioned with the same strength
- if these conditions are not satisfied then the different parts will settle to different levels and work against one another.

7. Maximum current load allowed to through-wiring is 13A.
 Non-user replaceable light source.