

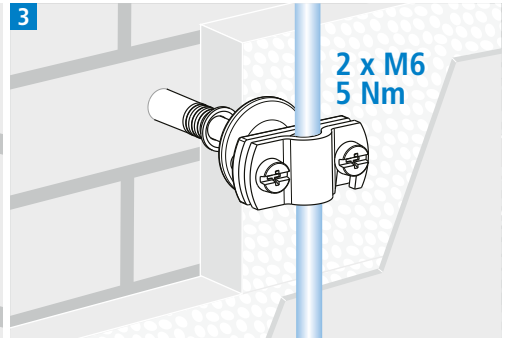
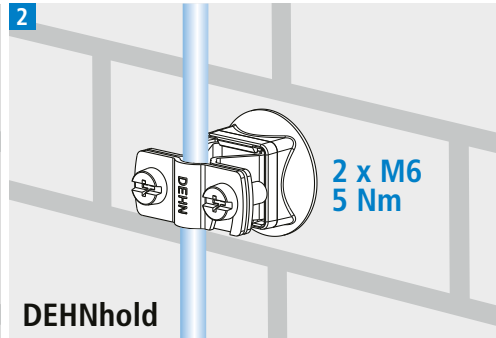
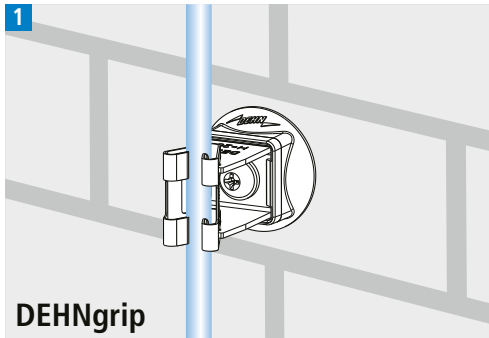
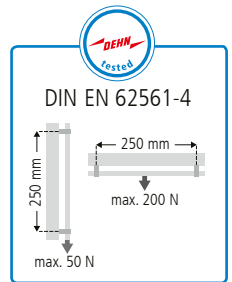
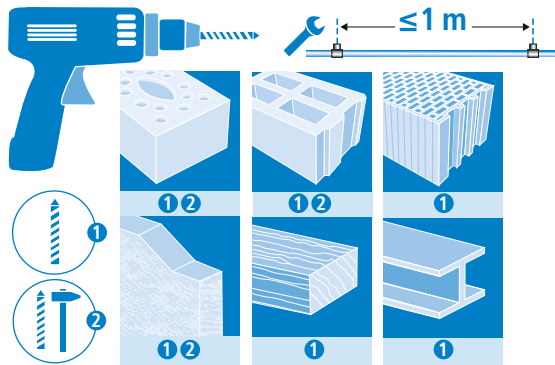


IEC 60417-6182:  
Installation,  
electrotechnical expertise

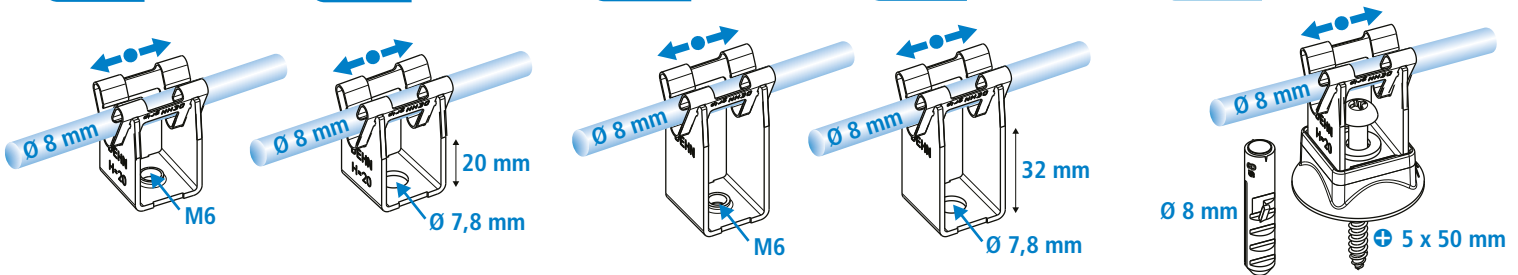


IEC 60417-6183:  
Installation,  
mechanical expertise

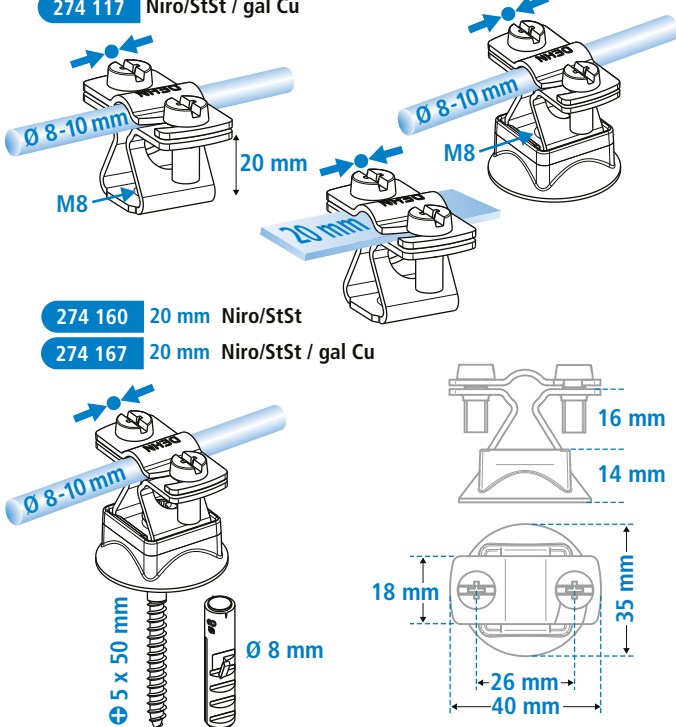
	St/tZn	Al	Cu	Niro/StSt	Ti	Sn
St/tZn	✓	✓	✗	✓	✓	✓
Al	✓	✓	✗	✓	✓	✓
Cu	✗	✗	✓	✓	✗	✓
Niro/StSt	✓	✓	✓	✓	✓	✓
Ti	✓	✓	✗	✓	✓	✓
Sn	✓	✓	✓	✓	✓	✓



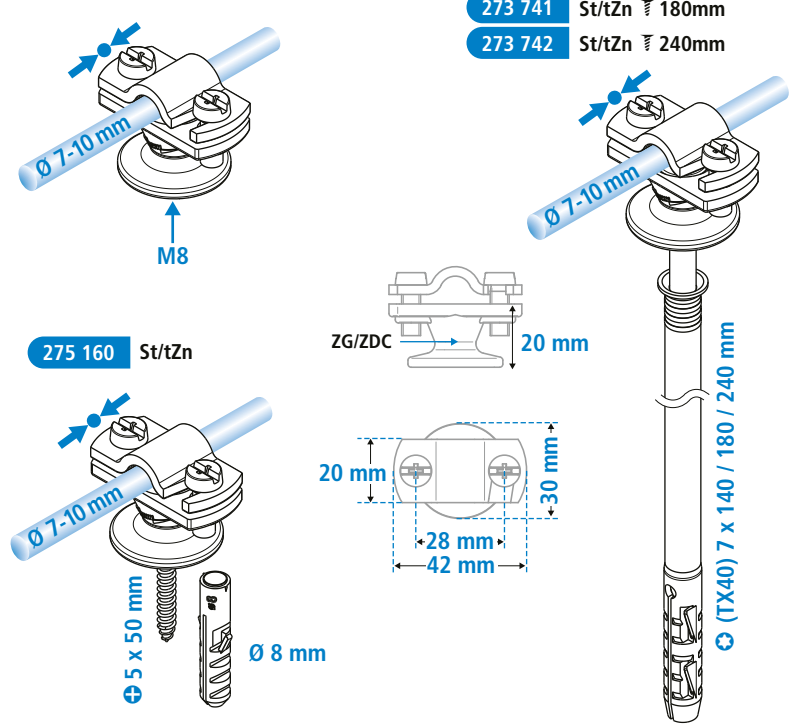
- 1**
- 207 019 20 mm Niro/StSt
  - 207 017 20 mm Cu
  - 207 009 20 mm Niro/StSt
  - 207 007 20 mm Cu
  - 207 039 32 mm Niro/StSt
  - 207 037 32 mm Cu
  - 207 029 32 mm Niro/StSt
  - 207 027 32 mm Cu
  - 207 109 20 mm Niro/StSt
  - 207 107 20 mm Cu



- 2**
- 274 110 Niro/StSt
  - 274 117 Niro/StSt / gal Cu
  - 274 150 Niro/StSt
  - 274 160 20 mm Niro/StSt
  - 274 167 20 mm Niro/StSt / gal Cu



- 3**
- 275 110 St/tZn
  - 275 160 St/tZn
  - 273 740 St/tZn ≈ 140mm
  - 273 741 St/tZn ≈ 180mm
  - 273 742 St/tZn ≈ 240mm





IEC 60417-6182:  
Installation,  
electrotechnical expertise



IEC 60417-6183:  
Installation,  
mechanical expertise

286 819 Niro/StSt

