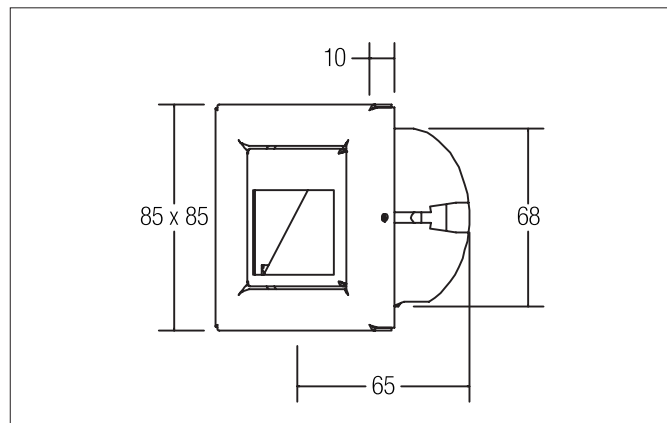


TIBELL-S LED wall recessed light

Article no. R3929B

Light.
For Generations.**Tender**

LED wall recessed light, white, Square. Recessed mounting, Wall-mounted Including a converter for connection with the 230-V mains voltage, on/off switchable and cavity wall mounting box Ø DA: 68 mm / installation depth: 65 mm Mounting method: Recessed mounting, Place of installation: Wall-mounted, Material: Stainless steel / Aluminium / Plastic, Degree of protection: according to DIN EN 60529 IP20, Protection class: (EN 61140) I, Voltage: 230V AC 50Hz, Power: 1.2W, Amount of light sources / fittings: 1.0 Qty, Luminous flux: 20lm, Adjustability: Not adjustable, With control gear: Yes, Dimmable: No, Control: on/off.

| Article data | |
|--------------------|---------------------------------------|
| Article no. | R3929B |
| GTIN | 4250047758570 |
| Series name | TIBELL-S |
| Short description | LED wall recessed light |
| Material | Stainless steel / Aluminium / Plastic |
| Colour | White |
| Type of surface | Structure |
| Shape | Square |
| Built-in diameter | 68 mm |
| Installation depth | 65 mm |
| Length | 85 mm |
| Width | 85 mm |
| Hight | 10 mm |
| Weight | 0.400 kg |

TIBELL-S LED wall recessed light

Article no. R3929B

Light.
For Generations.

| Lighting technology | |
|---------------------|------------|
| Colour temperature | blau |
| Luminous flux | 20 lm |
| System efficiency | 17 lm/W |
| Colour rendering | CRI > 80 |
| Reflector | Matt |
| Light sharing | Asymmetric |

| Operating technology of the luminaire | |
|---------------------------------------|--|
| System output | 1.2 W |
| Voltage type | AC |
| AC nominal voltage max | 230 V |
| Frequenz max. | 50 Hz |
| Lamp | LED |
| Protection class | I |
| Degree of protection | IP20 |
| Dimmable | No |
| Control | on/off |
| Bulb change possible | The light source of this luminaire may only be replaced by the manufacturer or a service technician commissioned by him or a similarly qualified person. |

| Mounting technology | |
|-----------------------|-------------------|
| Mounting method | Recessed mounting |
| Place of installation | Wall-mounted |
| Adjustability | Not adjustable |
| Material cover | Without cover |

| Packing data | |
|-------------------------|---|
| Gross weight | 0.43 kg |
| Length of packaging | 95 mm |
| Packaging width | 75 mm |
| Packaging height | 95 mm |
| Disposal at end of life | This product must not be disposed of with household waste. You are obliged, to dispose of such electrical waste separately. By disposing of electrical waste and other old or defective electronics separately, you support recycling or other forms of re-use. In that way you help to take care and to avoid that harmful substances get into the environment. |