

lightnet

Cubic-P4

Pendant luminaire - Direct/indirect light distribution

Article code: CP4AEL-830H-L1500-Y



Illustrations may only be similar and serve as an orientation.

Cubic-P4. LED. Pendant luminaire. Luminaire body with 25mm visible overall height and minimalist edge of only 5mm. Luminaire body made of high-quality aluminum profile. Surface finish Silver Anodised. Direct/indirect light distribution. Colour temperature: 3000K (Warm White). Colour Rendering Index (CRI): >80. Microprismatic screen for uniform illumination and reduced luminance in office areas. UGR<=19. Dimmable DALI. LxWxH (rectangular). L=1500mm. W=200mm. H=25mm. Y-cord suspension with power supply cable and ceiling rose (Set). Pendant length

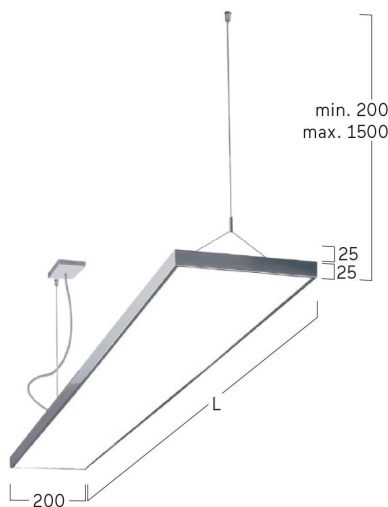
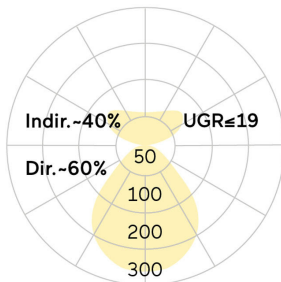
max 1500mm. Power supply: transparent. Ceiling rose: Matching luminaire's surface colour. High-power current. 7732lm. 65W. 6kg. Binning initial <= MacAdam 3. IP20. Protection class I. CE, UKCA marking. Prüfzeichen: ENEC. IK02. 220-240V. 50-60 Hz. RG0 (EN62471). Luminous flux reduction up to 0,4%/1.000 operating hours. Nominal failure rate: 0,2%/1.000 operating hours. L80B10 (tq 25°C) = 50.000h. 5 years warranty. Manufacturer: Lightnet GmbH, ISO 9001:2015 certificated

lightnet

Cubic-P4

Pendant luminaire - Direct/indirect light distribution

Article code: CP4AEL-830H-L1500-Y



Customer / Project: _____

Note: _____

| | |
|------------------------------|---|
| Productname | Cubic-P4 |
| Lamp | LED |
| Installation Type | Pendant luminaire |
| Surface finish | Silver Anodised |
| Light characteristics | Direct/indirect light distribution |
| Colour temperature | 3000K |
| Colour Rendering Index (CRI) | CRI>80 |
| Optical system | Microprismatic screen |
| Control | Dimmable (DALI) |
| Length L/Diameter D (mm) | L=1500mm |
| Width W (mm) | W=200mm |
| Height H (mm) | H=25mm |
| Current/Power | High-Power |
| Luminous Flux | 7732lm |
| Power consumption | 65W |
| Suspension | Y-susp. (Set) |
| Ceiling rose colour | Ceiling rose: Matching luminaire`s surface colour |
| Pendant length (mm) | Pendant length max 1500mm |
| Degree of protection | IP20 |
| Certification | Prüfzeichen: ENEC |
| Cable Colour | Power supply: transparent |
| LED lifetime | L80B10 (tq 25°C) = 50.000h |
| UGR | UGR<=19 |
| Photometric code | 8 30 / 3 3 9 |
| Photobiological class | RG0 (EN62471) |
| Indoor/Outdoor | Indoor: ta [ambient] max. 25°C |
| Weight (kg) | 6kg |

